

540TVL Day & Night

Super High Resolution Network Camera

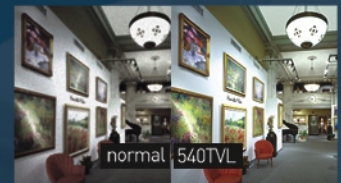


Professional Network Camera Superior Sensitivity with Day & Night

- Full Frame Rate up to D1 (25fps@720x576, 30fps@720x480) Resolution
- Compatible with MPEG4 Standard
- Superior Image Quality (540 TV Lines)
- Day & Night Mode : Color Converts to B/W in Low Light with an ICR (Infrared Cut Filter Removal) Function
- Ultra Sensitivity Minimum Illumination of 0.3 lux and 0.002 lux (Sensitivity up Color Mode)
- Incredible Noise Reduction for Picture Quality & File Size
- Privacy Masking / Motion Detection / Mirror Function
- Full Control via the OSD Menu Key on the Rear of the Camera
- Built-in Network Interface (10Base-T/100Base-TX) for Remote Monitoring by PC
- Interface Protocol : TCP/IP, HTTP, UDP, DHCP, RTP, RTSP, SMTP, DDNS, FTP

Superior Image Quality

Super High-Resolution Imaging
540 Horizontal TV Lines

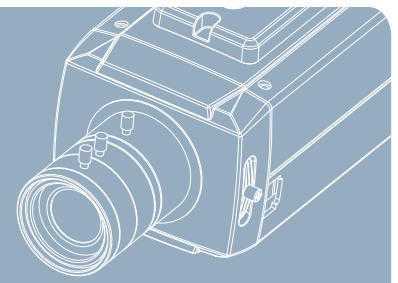


Removing Picture Noise

Incredible Noise Reduction for Picture
Quality & File size



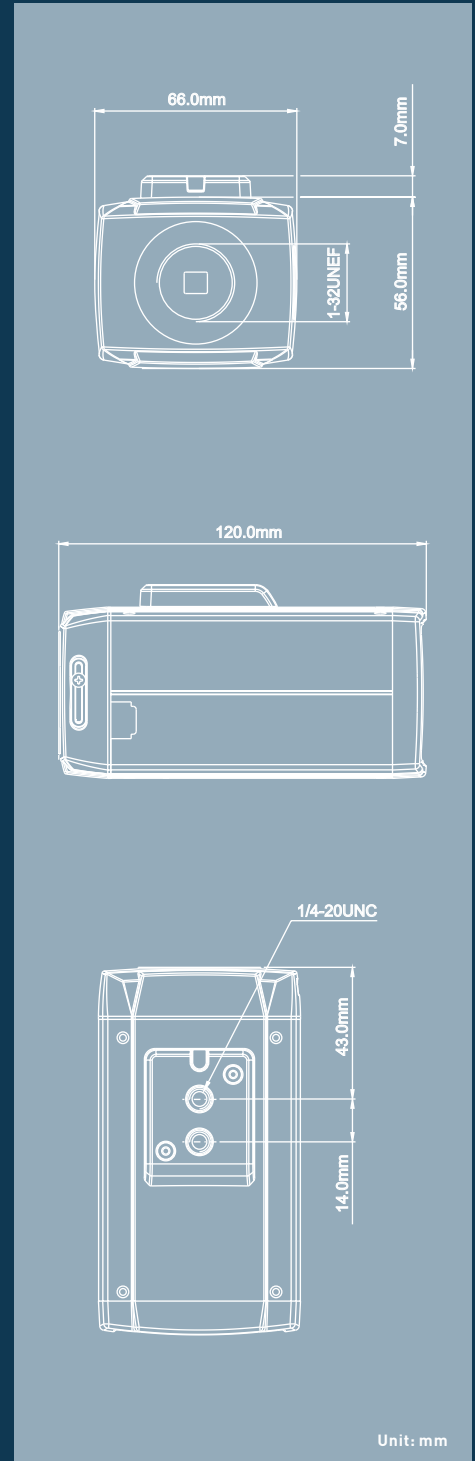
Super High Resolution Network Camera



■ Specifications

MODEL		NTSC	PAL
Image sensor		1/3" Sony Super-HAD Color CCD	
Total Pixels		811(H) x 508(V)	795(H) x 596(V)
Scanning system		2 : 1 interlace	
Sync System		Internal / Line lock	
Electronic shutter		1/60 ~ 1/120,000 sec.	1/50 ~ 1/120,000 sec.
Resolution		540 TV lines (Color)	
Minimum illumination		0.3 lux(Color), 0.002 lux(Sens-up)	
Video output		1.0Vp-p (75ohms ,composite)	
S/N ratio		50dB (AGC off)	
N E T W O R K	Display resolutions	D1(PAL: 720 x 576, NTSC: 720 x 480), 640x480, 320x240, 160x120	
	Maximum frame rate	25 fps@720 x 576, 30fps@ 720 x 480	
	Video compression format	MPEG-4 Part2(ISO/IEC 14496-2), Profile: SP and ASP	
	Alarm and event management	Built-in motion detection, Adjustable sensitivity and dwelling time, Emailing, FTP	
	Protocols	TCP/IP, UDP, HTTP, RTP, RTSP, DHCP, SMTP, DDNS, FTP	
	Ethernet	10Base-T/100Base-T (RJ-45)	
	Pre/Post event	Max. 180sec	
	Image setting	Color, Brightness, Contrast	
	Event recording / Email notification	Yes	
	Remote upgrade / Time/Event search		
	Remote set-up/viewer / Access level		
	Multicasting capability		
	Bandwidth control		
	Alarm/Event/Time searching		
Minimum Operation System	Microsoft Windows 2000/XP, Intel Pentium IV 2.0GHz or higher, 512MB or more		
Web browser	Microsoft Internet Explorer version 6.0		
F U N C T I O N	White balance	ATW / AWC / Manual	
	Auto exposure	Auto / Manual shutter / Flickerless / AGC	
	AGC	Off / Low / Middle / High	
	Auto iris control	Manual / DC / Video	
	Sens-up	Off / Auto (x2 ~ x128)	
	BLC	Off / Low / Middle / High	
	Display title	Off / On	
	Mirror	Off / On	
	Privacy zone	Off / On (4 point)	
	Day & Night	Auto / Color / B/W	
DNR	Off / Low / Middle / High		
Preset	Default / Save / End		
Power source	DC 12V		
Power consumption	6.0 W		
Power input	2-Pin terminal block		
Video output	BNC connector		
Auto iris output	4-Pin mini din jack (standard connection)		
Lens mount	C/CS mount (selected through back focus)		
Mounting hole	1/4"-20 UNC (top or bottom)		
Operating temperature	0 °C ~ +45 °C		
Operating humidity	0 ~ 96% (non-condensing)		
External dimension	66(W) x 56(H) x 120(D)mm		
Weight	250 g		

■ Dimensions



*Design and specifications are subject to change without notice.