

Vandal Proof Dome

540TV Lines Dome Network Camera



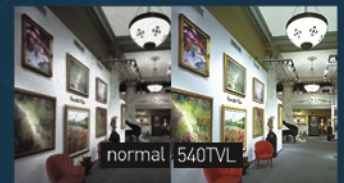
Super High Resolution

Professional Network Camera Vandal Proof Dome Camera Indoor or Outdoor

- Full Frame Rate up to D1 (25fps@720x576, 30fps@720x480) Resolution
- Compatible with MPEG4 Standard
- Superior Image Quality (540 TV Lines)
- Combines Superior Imaging with a Vandal-Proof Housing
- Rugged, Compact Specially Designed for Installable Anywhere (Indoor / Outdoor)
- Built-in Network Interface (10Base-T/100Base-TX) for Remote Monitoring by PC
- Interface Protocol : TCP/IP, HTTP, UDP, DHCP, RTP, RTSP, SMTP, DDNS, FTP
- Quick & Easy Set Up with User Friendly GUI
- Sophisticated Motion Detection
- Supports Pre & Post Alarm Record in Client PC
- Notify Events via e-mail & FTP

Superior Image Quality

Super High-Resolution Imaging
540 Horizontal TV Lines

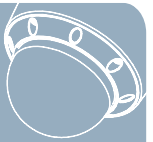


Removing Picture Noise

Incredible Noise Reduction for Picture
Quality & File size



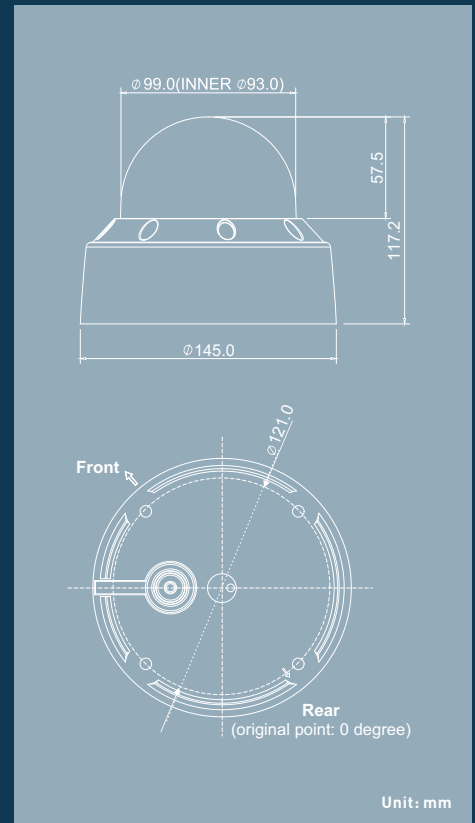
Vandal Proof Dome Network Camera



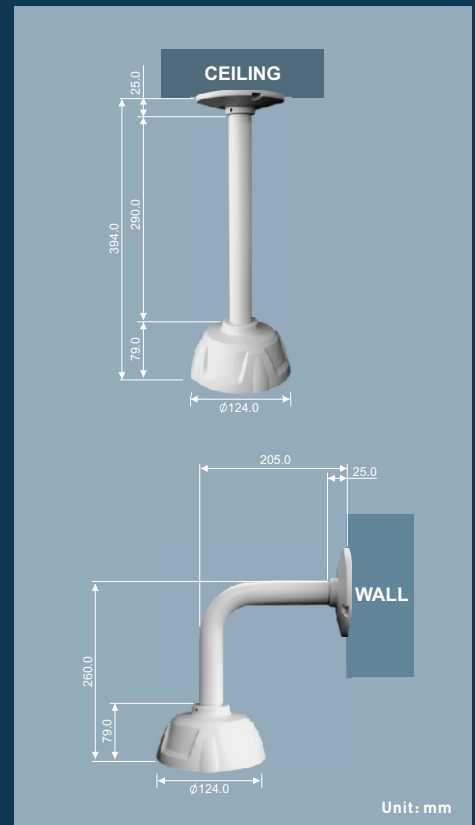
Specifications

MODEL		NTSC	PAL
Image sensor		1/3" Sony Super-HAD Color CCD	
Total Pixels		811(H) x 508(V)	795(H) x 596(V)
Scanning system		2 : 1 interlace	
Sync System		Internal / Line lock	
Electronic shutter		1/60 ~ 1/120,000 sec.	1/50 ~ 1/120,000 sec.
Resolution		540 TV lines (Color)	
Minimum illumination		0.3 lux(Color), 0.002 lux(Sens-up)	
Video output		1.0Vp-p (75ohms ,composite)	
S/N ratio		50dB (AGC off)	
N E T W O R K	Display resolutions	D1(PAL: 720 x 576, NTSC: 720 x 480), 640x480, 320x240, 160x120	
	Maximum frame rate	25 fps@720 x 576, 30fps@ 720 x 480	
	Video compression format	MPEG-4 Part2(ISO/IEC 14496-2), Profile: SP and ASP	
	Audio compression format, I/O terminal	PCM, Full duplex, 16/8 kbps, 3.5mm Mic in x1 and speaker out x1	
	Alarm and event management	Built-in motion detection, Adjustable sensitivity and dwelling time, Emailing, FTP	
	Protocols	TCP/IP, UDP, HTTP, RTP, RTSP, DHCP, SMTP, DDNS, FTP	
	Ethernet	10Base-T/100Base-T (RJ-45)	
	Pre/Post event	Max. 180sec	
	Image setting	Color, Brightness, Contrast	
	Event recording / Email notification	Yes	
	Remote upgrade / Time/Event search		
	Remote set-up/viewer / Access level		
	Multicasting capability		
	Bandwidth control		
	Alarm/Event/Time searching		
	Minimum Operation System	Microsoft Windows 2000/XP, Intel Pentium IV 2.0GHz or higher, 512MB or more	
Web browser	Microsoft Internet Explorer version 6.0		
F U N C T I O N	White balance	ATW / AWC / Manual	
	Auto exposure	Auto / Manual Shutter / Flickerless / AGC	
	AGC	Off / Low / Middle / High	
	Auto iris control	Manual / DC	
	Sens-up	Off / Auto (x2 ~ x128)	
	BLC	Off / Low / Middle / High	
	Display title	Off / On	
	Mirror	Off / On	
	Privacy zone	Off / On (4 point)	
	Day & Night	Auto / Color / B/W	
	DNR	Off / Low / Middle / High	
	Preset	Default / Save / End	
Power source	DC 12V		
Power consumption	6.0W		
Power input	2-Pin wire		
Video output	BNC connector		
Operating temperature	0°C ~ +45°C		
Operating humidity	0 ~ 96% (non-condensing)		
Dimensions (Diameter x Height)	ø 145.0mm x 117.2mm [Bubble diameter ø 99.0mm]		
Weight	1.1kg		
Housing	Water & Weather proof housing is heavy duty die-cast aluminum		
Weatherproof IP66	Indoor / Outdoor, Wall or Ceiling		
Option	Wall or Ceiling Mount Bracket		

Dimensions



Optional Accessory



*Design and specifications are subject to change without notice.