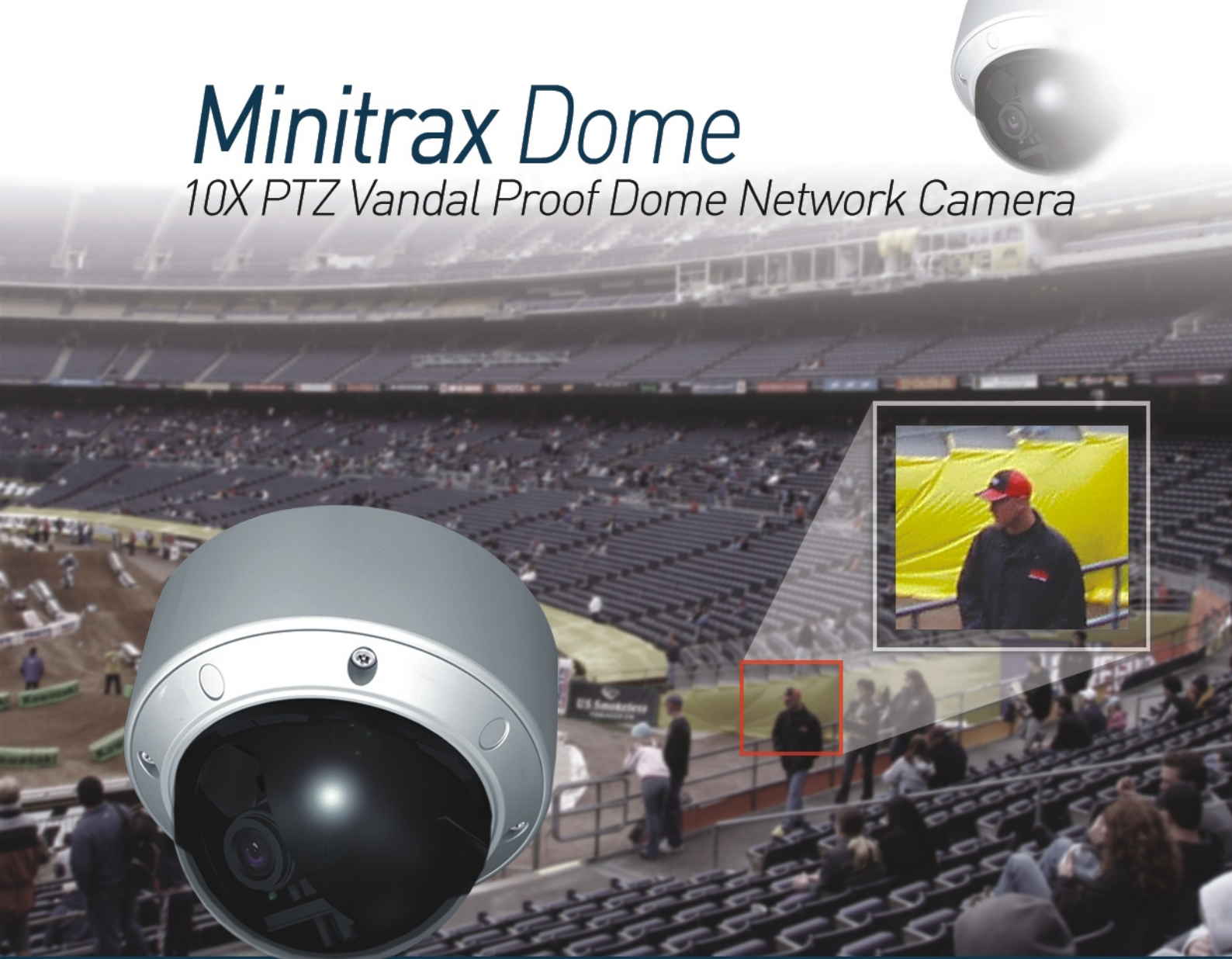


Minitrax Dome

10X PTZ Vandal Proof Dome Network Camera



Professional Network Camera 10X PTZ Vandal Proof Dome Camera Indoor or Outdoor

- Full Frame Rate up to D1 (25fps@720x576, 30fps@720x480) Resolution
- Compatible with MPEG4 Standard
- Remotely Controllable Intelligent Pan / Tilt / Zoom Camera System
- 10X Zoom Capability (10X Optical / 10X Digital)
- Combines Superior Imaging with a Vandal-Proof Housing
- Pan : 0° ~ 359° , Tilt : 0° ~ 90°
- Pan/Tilt Speed (Pan : 120°/sec, Tilt : 120°/sec)
- Rugged, Compact Specially Designed for Installable Anywhere (Indoor / Outdoor)
- Built-in Network Interface (10Base-T/100Base-TX) for Remote Monitoring by PC
- Interface Protocol : TCP/IP, HTTP, UDP, DHCP, RTP, RTSP, SMTP, DDNS, FTP
- Sophisticated Motion Detection
- Supports Pre & Post Alarm Record in Client PC
- Notify Events via e-mail & FTP
- Quick & Easy Set Up with User Friendly GUI

Presets

Up to 60 Preset Positions (with Different Settings for Pan, Tilt, Zoom and Focus)



Remote Control

Remote Controllable Intelligent Pan / Tilt / Zoom Camera System



Variable Pan and Tilt

Pan over 359° in the Horizontal Plane and 0° to 90° of Tilt in the Vertical



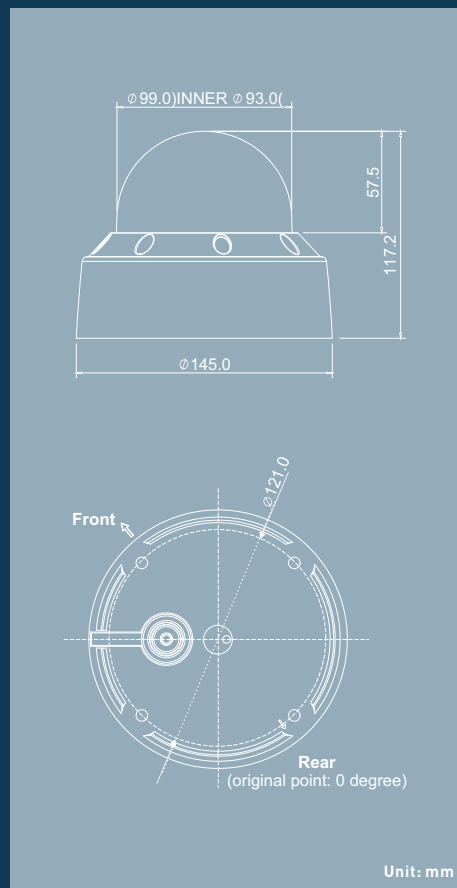
MiniTrax Dome Network Camera



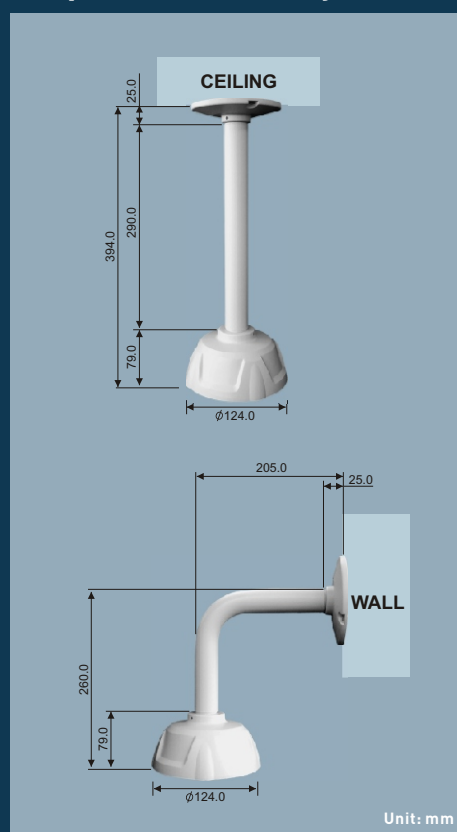
Specifications

MODEL	NTSC	PAL	
Scanning System	2:1 Interlace		
Scanning Frequency (H/V)	15.734 KHz / 59.94 Hz	15.625 KHz / 50 Hz	
Image sensor	1/4" Sony Super-HAD Color CCD		
Effective Pixels No	768(H) x 494(V)	752(H) x 582(V)	
Minimum illumination	1.5 lux		
Video output level	1.0Vp-p (75ohms ,composite)		
S/N ratio	48dB		
LENS	10X Zoom(Video AF), 3.15mm~31.5mm		
Zoom Ratio	10X Optical , 10X Digital		
Sync System	Internal		
Camera Control	Rs485		
NETWORK	Display resolutions	D1(PAL: 720 x 576, NTSC: 720 x 480), 640x480, 320x240, 160x120	
	Maximum frame rate	25 fps@720 x 576, 30fps@720 x 480	
	Video compression format	MPEG-4 Part2(ISO/IEC 14496-2), Profile: SP and ASP	
	Audio compression format, I/O terminal	PCM, Full duplex, 16/8 kbps, 3.5mm Mic in x1 and speaker out x1	
	Alarm and event management	Built-in motion detection, Adjustable sensitivity and dwelling time, Emailing, FTP	
	Protocols	TCP/IP, UDP, HTTP, RTP, RTSP, DHCP, SMTP, DDNS, FTP	
	Ethernet	10Base-T/100Base-T (RJ-45)	
	Pre/Post event	Max. 180sec	
	Image setting	Color, Brightness, Contrast	
	Event recording / Email notification	Yes	
	Remote upgrade / Time/Event search		
	Remote set-up/viewer / Access level		
	Multicasting capability		
	Bandwidth control		
Alarm/Event/Time searching			
Minimum Operation System	Microsoft Windows 2000/XP, Intel Pentium IV 2.0GHz or higher, 512MB or more		
Web browser	Microsoft Internet Explorer version 6.0		
FUNCTION	Focus Mode	Auto / Manual	
	Auto Exposure	Auto/ Shutter PRI/ Iris PRI/ Manual	
	White Balance	Auto/Indoor/Outdoor/Manual	
	Iris Control	Auto/Manual(F1.8 ~ F32)	
	Gain Control	AGC On / Off(30dB max.)	
	Shutter Speed	Normal ~ 1/10,000	
	Back Light	On/Off	
	Title	Title Display	
	Display	On /Off	
	Panning	0° ~ 359°	
	Tilting	0° ~ 90°	
	Panning Speed	Max.120 /sec	
	Tilting Speed	Max.120 /sec	
	Scanning Speed	7° / sec	
	Preset	60 Position	
	Preset Accuracy	± 1°	
	Tour	Course(1~4 x 16 Preset)	
	Auto Scanning	Course(1~4)	
	Alarm	NC / NO / OFF	
	Alarm State	Momentary / Time Out	
Dome ID	63 ID		
Environmental Condition	Operation Temperature	0°C ~ 45°C	
	Operation Humidity	0% ~ 96%	
	Storage Temperature	-20°C ~ 60°C	
Power requirement	DC 12V		
Power consumption	14W		
Dimensions (Diameter x Height)	φ 145.0mm x 117.2mm (Bubble diameter φ 99.0mm)		
Weight	1.3kg		
Housing	Water & Weather proof housing is heavy duty die-cast aluminum		
Weatherproof IP66	Indoor / Outdoor, Wall or Ceiling		
Option	Wall or Ceiling Mount Bracket		

Dimensions



Optional Accessory



*Design and specifications are subject to change without notice.