

# High Resolution FULL HD NETWORK CAMERA

The Perfect Addition to Any CCTV System

**HDG-M120** FIXED VANDAL - PROOF CAMERA



- » The HDG-M120 network cameras offer advanced IP features and performance with Full-HD resolution real-time H.264

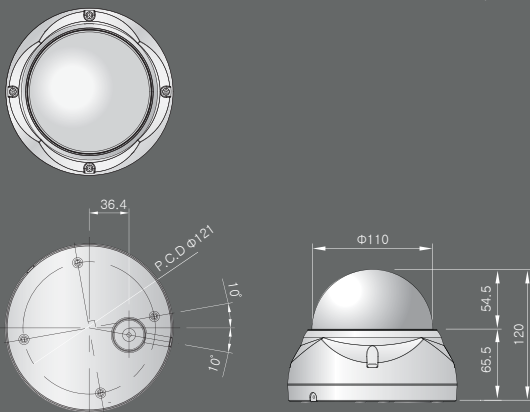


## » Key Features

- Full-HD Resolution Supported
- WDR Supported
- 3DNR(3 Dimensional Noise Reduction)
- ONVIF Supported
- BLC(Back Light Compensation)
- HSBLC(Highlight Suppression BLC)
- DIS(Digital Image Stabilization)
- Two-way Audio
- Micro SD Supported
- Multiple Compression(H.264, MJPEG )
- Multiple Streaming
- Cross Web-Browsing
- Motion Adaptive Transmission
- Dynamic Adjustable Bit Rate
- Event Buffering
- FTP Image Upload
- Web Casting
- Password Protection, IP Filtering
- DDNS Supported
- Auto Exposure (AE)
- Auto White Balance (AWB)
- Privacy Masking
- Pre-recorded Voice Alert

## » Dimensions

Unit: mm



## » Technical Specification

MODEL	HDG-M120(NTSC/PAL)
<b>IMAGE</b>	
Image Sensor	1/2.8" CMOS
Lens	Megapixel 3~9mm Variable Focal Lens
Scanning Mode	Progressive Scan
View Angle	90°
Min. Illumination	Day-0.15(Lux) / Night-0.03(Lux)
AE/AWB	Yes
DNR	3DNR
D&N	True D&N (IR-cut filter)
WDR	Yes(68dB)
BLC	Yes, HSBLC
<b>VIDEO</b>	
Video Out	1 BNC
Progressive Encoding	Yes
Compression	H.264(High, Main, Base line profile), MJPEG
Resolution Supported	1080p, 720p, D1, VGA, QVGA
Frame Rate	1920x1080p@30fps
Multiple Streaming	Max.4 Multiple stream (3x H.264 and 1x MJPEG)
<b>IN/OUT</b>	
Audio In/Out	1 Mic./1 Speaker (G.711)
Alarm In/Out	2/1
RS485	Yes
Ethernet	10/100Mbps
Memory Slot	Micro SD
<b>FEATURE</b>	
Motion Detection	Max.12 Areas
MAT(Motion Adaptive Transmission)	QoS, Auto Traffic Control
DABR(Dynamic Adjustable Bit Rate)	H.264 CBR Mode : Up to 8Mbps
Event Buffering (Pre & Post)	Yes
Event Notification	Yes
Privacy Masking	Yes
PrVA(Pre-recorded Voice Alert)	Yes
Web Casting	Yes
Cross Web Browser	Yes
FTP Image Upload	Yes
ONVIF Certificate	Yes
<b>SYSTEM</b>	
Network Time Sync	Yes
Soft Reset	Yes
Auto Recovery	Yes
Security	Password Protection, IP Filtering, HTTPS, SSL
<b>NETWORK</b>	
Max. Connections	10
Protocols	TCP/IP,UDP,HTTP,RTP,RTSP,NTP,DHCP,SMTP, DDNS,HTTPS,RTCP,FTP,IPv4, SNMP,RTSP PUSH
DDNS	Yes (DDNS)
Remote Client	Web, Nautilus16, SmartManager
<b>MISCELLANEOUS</b>	
Weatherproof	No
PoE	802.3af Class 2
Power	PoE, DC12V, AC24V
Power Consumption	MAX. 6W
Operating Temperature	-10°C ~ +50°C
Humidity	0 ~ 95 [%]
Approvals	FCC, UL, CE, MIC